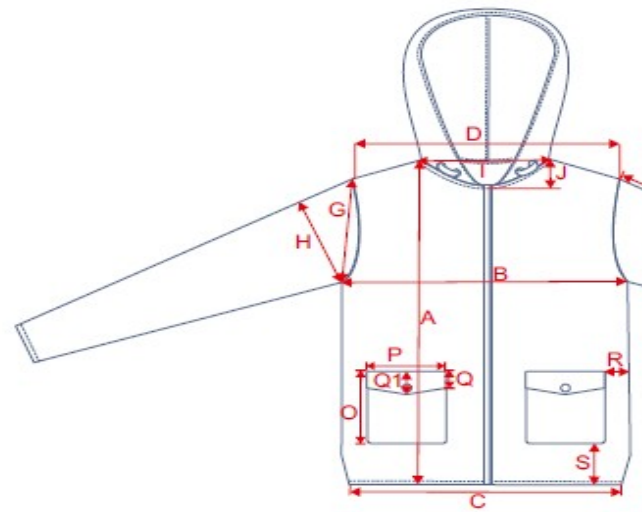


TB891 (no.079) Material Mixed Winter Jacket

	Description		S
A	Length	cm	72
B	1/2 Chest Width	cm	54
C	1/2 Hem Width	cm	55
D	1/2 Shoulder Width	cm	42
E	Sleeve Length (excl.Rib)	cm	67
F	1/2 Cuff Width (body fabric)	cm	14.5
	1/2 Cuff Rib Width	cm	9.5
	1/2 Cuff Rib Height	cm	4.5
G	1/2 Armhole Straight (seam to seam)	cm	25
H	1/2 Upper Arm Width	cm	22
	1/2 Ellbow Width (30 cm from hem-edge)	cm	19
I	Neckhole (seam to seam)	cm	25
J	Front Neckdrop (HSP to seam)	cm	9.5
K1	Hood Width (measured 10 cm unter top)	cm	26
K2	Hood Height (measured HSP to top)	cm	36
	Collar Height	cm	9.5
	Inside Collar Rib Height	cm	8
N	Inner Pocket Opening	cm	15
O	Front Pocket Height incl. Flap	cm	22
	Front Pocket Side Opening	cm	13
P	Front Pocket Width	cm	18
Q	Pocket Flap height (sides)	cm	5
Q1	Pocket Flap Height (center)	cm	7
R	Pocket Distance from side-seam	cm	3.5
S	Pocket Distance from Hem-Edge	cm	5
Comments			
Fitting			Regular Fit
Article Description			Jacket, Set-in shoulders, rib inside lining
Fabric			1) 100% Nyl
Colors			Black/Grey +

M	L	XL	XXL
74	76	78	80
57	60	63	66
58	61	64	67
45	48	51	54
68	69	70	71
15	15.5	16	16.5
10	10.5	11	11.5
4.5	4.5	4.5	4.5
26	27	28	29
23	24	25	26
20	21	22	23
26	27	28	29
10	10.5	11	11.5
27	28	29	30
36	37	37	38
9.5	9.5	9.5	9.5
8	8	8	8
15	16	16	17
22	23	23	24
13	14	14	15
18	19	19	20
5	6	6	7
7	8	8	9
4	4.5	5	5.5
5	5	5	5

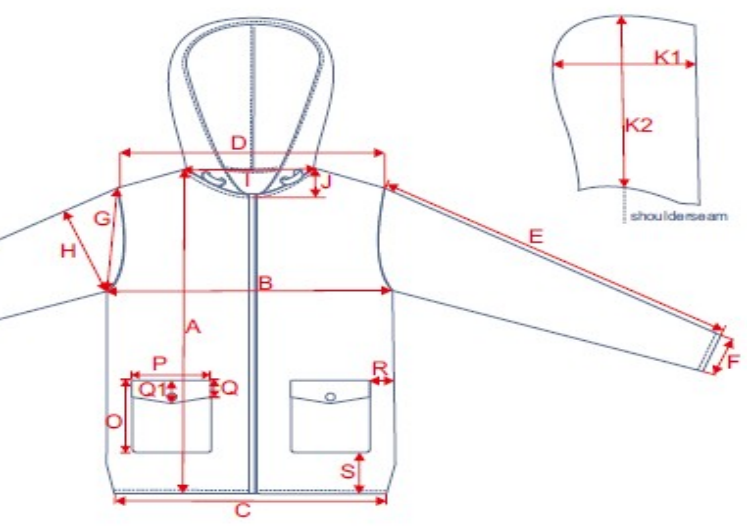


Style, two front pockets with flap and opening from two sides (top and side), ap
 cuffs at the leg-openings inside, inlay, jacket closeable with zipper (inlay) and s
 n orange

in Oxford, 230 Tpes + padding / 2) 20% wool/80%polyester woolen fabric

Grey/Black

URBAN CLASSICS



Applications at the
snap buttons on top,