

COLLECTION

UC

SEASON

SS16

SUPPLIER NO.

GENDER

LADIES

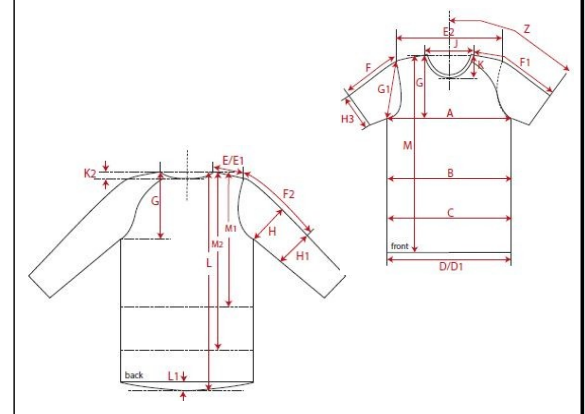
DATE

13-05-2016

SIGNATURE

CB

Fertigmaße in cm für Größe measurements in cm for size	CODE	TOLERANCE (+/-)	XS	IS	S	IS	M	IS	L	IS	XL	IS	XXL	IS	3XL	IS	4XL	IS	5XL	IS	6XL	IS	
front length from HSP	M	1	80.00		82.00		84.00		86.00		88.00												
1/2 chest width	A	1	49.00		51.50		54.00		56.50		59.00												
shoulder to shoulder	E2	1	38.00		40.50		43.00		45.50		48.00												
sleeve length from shoulder (set in)	F	1	63.00		64.00		65.00		66.00		67.00												



REMARK