

COLLECTION

UC

SEASON

FW16

SUPPLIER NO.

GENDER

LADIES

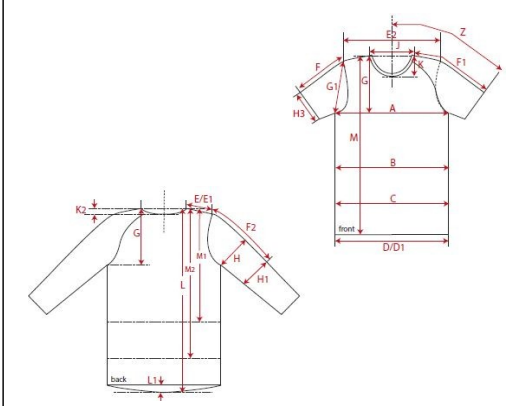
DATE

19-05-2016

SIGNATURE

AM

Fertigmaße in cm für Größe measurements in cm for size	CODE	TOLERANCE (+/-)	XS	IS	S	IS	M	IS	L	IS	XL	IS	XXL	IS	3XL	IS	4XL	IS	5XL	IS	6XL	IS	
front length from HSP	M	1	102.00		104.00		106.00		108.00		110.00												
1/2 chest width	A	1	33.50		36.00		38.50		41.00		43.50												
shoulder to shoulder	E2	1	32.50		35.00		37.50		40.00		42.50												
sleeve length from shoulder (set in)	F	1	64.00		65.00		66.00		67.00		68.00												



REMARK